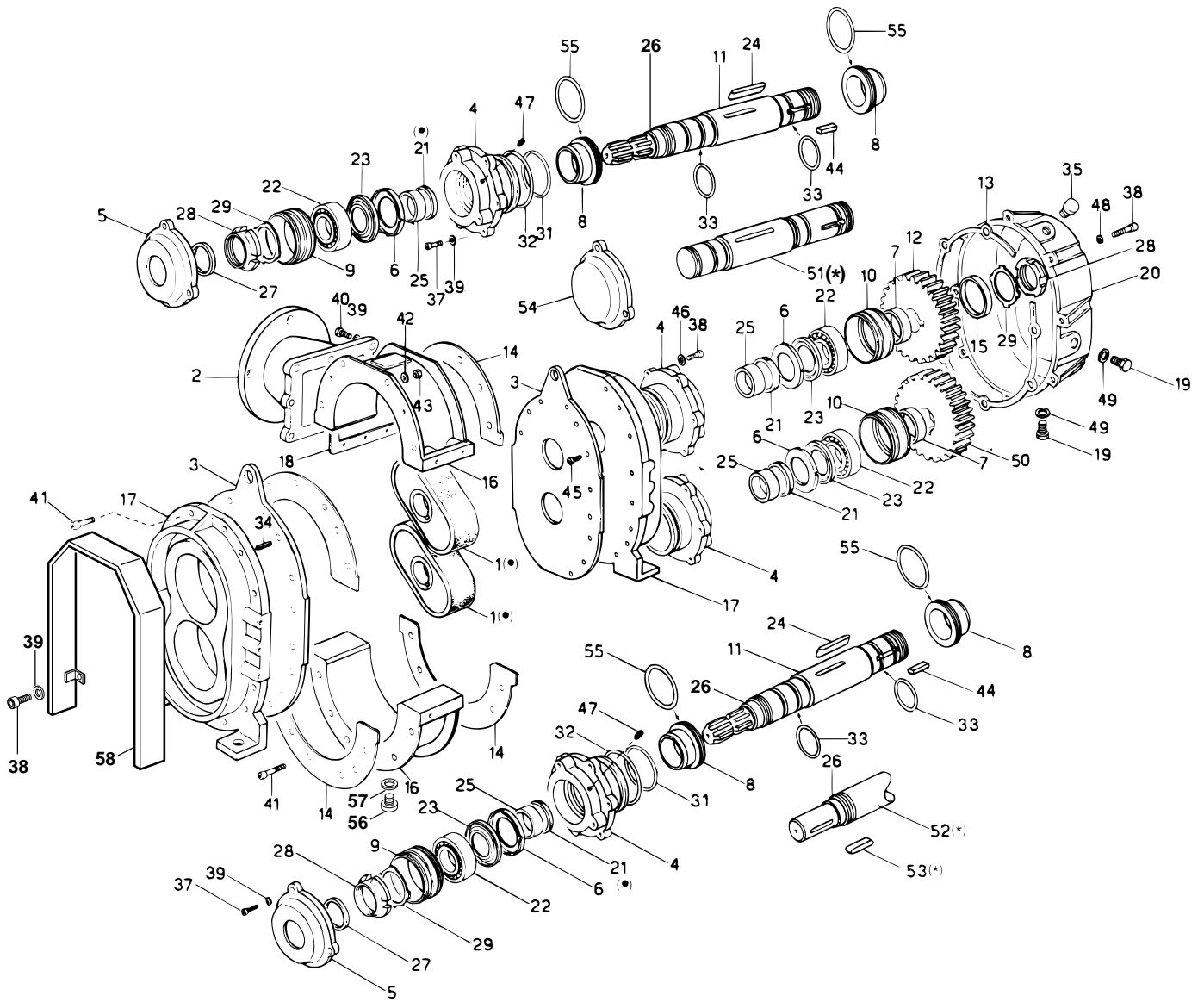


7.1 Spare parts VL7



7.1 Spare parts VL7

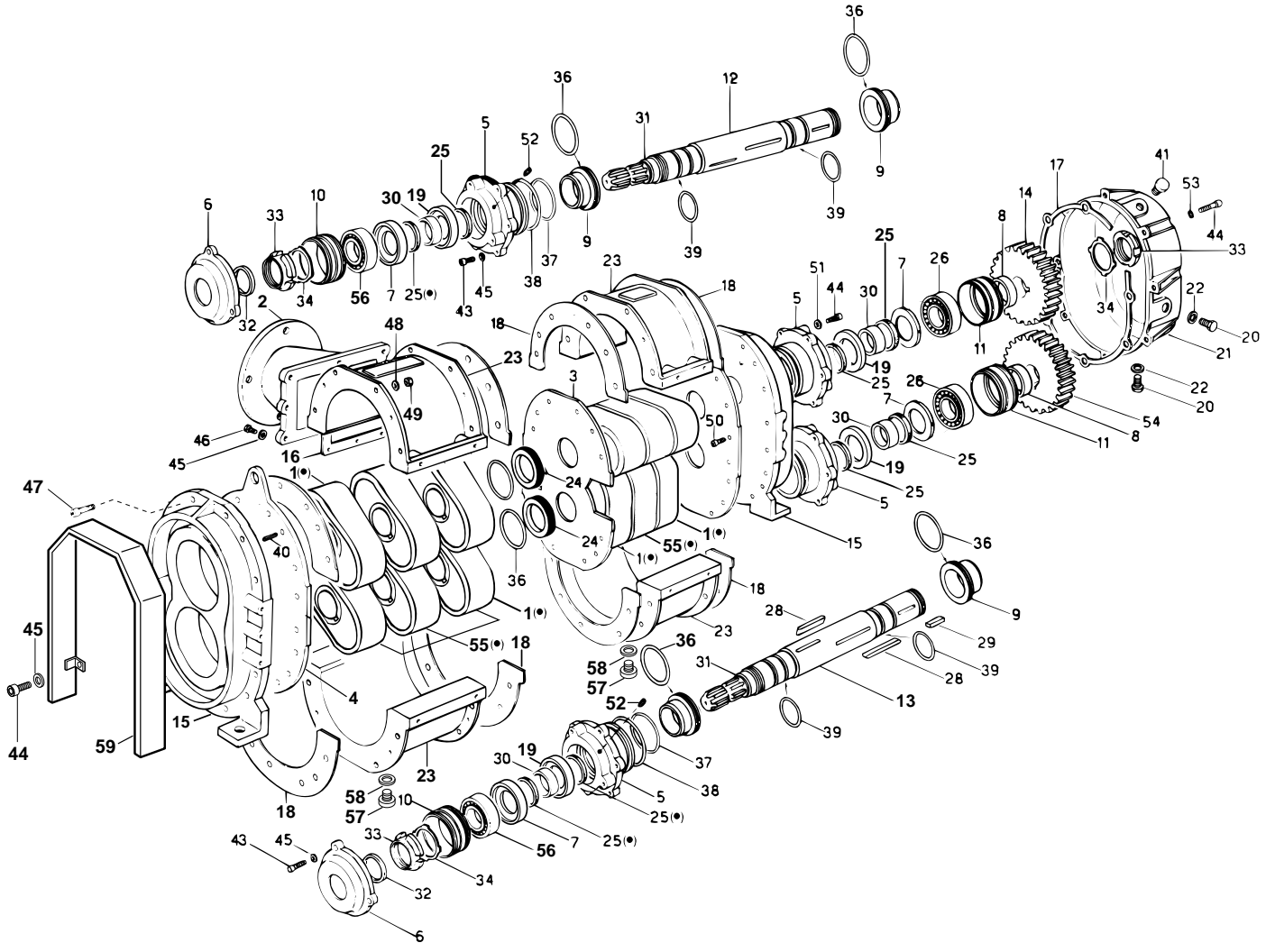
Pos.	Code	Qt.	Denomination
(Σ) 1	15036 - 018 - 00	2	End piston
2	15260 - 020 - 00	2	Connection
3	16100 - 093 - 00	2	Weaproof plate
4	16105 - 047 - 00	4	Bearing flange
5	16105 - 048 - 00	2	Front flange
6	16240 - 090 - 00	4	Spacer
7	16240 - 091 - 00	2	Spacer
8	16260 - 003 - 00	4	Bushing
9	16260 - 001 - 00	2	Front bushing
10	16260 - 002 - 00	2	Rear bushing
11	16500 - 082 - 00	2	Axle
12	16510 - 024 - 00	1	Gear
13	16807 - 035 - 00	1	Oil tank gasket
14	16807 - 050 - 00	4	Housing gasket
15	16240 - 099 - 00	2	Spacer
16	16875 - 037 - 00	2	Pump housing
17	16625 - 001 - 00	2	End plate
18	16806 - 062 - 00	2	Connection gasket
19	16840 - 000 - 00	2	Oil drain plug
20	16871 - 006 - 00	1	Oil tank
(Σ) 21	4022 - 2001 - 06	4	Seal ring
22	4023 - 1005 - 48	4	Bearing 62092RS
23	4023 - 1180 - 00	4	Protection screen
24	4026 - 5035 - 00	4	Key
25	4023 - 1300 - 35	4	Bushing 45x55x22
26	4023 - 1300 - 09	2	Bushing 35x40x17
27	4022 - 2000 - 27	2	Seal ring
28	4026 - 3065 - 09	4	Selflocking ring M45
29	4026 - 3063 - 09	4	Safety ring
30			
31	4022 - 2002 - 36	4	OR 4275

Pos.	Code	Qt.	Denomination
32	4022 - 2002 - 38	4	OR 4350
33	4022 - 2002 - 12	8	OR 2162
34	4026 - 4100 - 13	8	Elastic pin ø8x36
35	4026 - 9100 - 01	1	Vent
36			
37	4026 - 1204 - 05	30	Screw TCEI M8x25
38	4026 - 1204 - 03	17	Screw TCEI M8x20
39	4026 - 3507 - 06	49	Spring washer ø8,4
40	4026 - 1028 - 08	16	Screw TE M8x30
41	4026 - 1205 - 10	16	Screw TCEI M10x50
42	4026 - 3506 - 08	16	Spring washer ø10,5
43	4026 - 3008 - 06	16	Nut M10
44	4026 - 5015 - 00	2	Key
45	4026 - 1215 - 04	8	Screw T. BEI M8x18
46	16850 - 051 - 00	6	Plain washer ø24x9x2
47	4026 - 1362 - 05	4	Set screw M6x12
48	4026 - 3509 - 09	8	Lock washer
49	16851 - 002 - 00	2	Aluminium washer
50	16510 - 033 - 00	1	Gear
(★)51	16500 - 084 - 00	1	Blind axle
(★)52	16500 - 083 - 00	1	Electric motor axle
(★)53	4026 - 5009 - 11	1	Key for electric motor
(★)54	15105 - 000 - 00	1	Blind axle flange
55	4022 - 2002 - 42	4	OR 3256
56	4026 - 9110 - 03	1	Drain plug 1/2
57	4026 - 3590 - 03	1	Washer ø21
58	16420 - 003 - 00	1	Protection
59	16100 - 114 - 00	2	In/outlet flange Ø
60	4026 - 7130 - 04	2	Manifold flange ☒
61	16806 - 063 - 00	2	Manifold flange gasket

(Σ) Specify if NBR - VITON

(★) Axle for electric drive

7.5 Spare parts VL40



7.5 Spare parts VL40

Pos.	Code	Qt.	Denomination
(Σ) 1	15036 - 014 - 00	8	End piston
2	15260 - 023 - 00	2	Connection
3	16100 - 092 - 00	1	Middle flange
4	16100 - 093 - 00	2	Weaproof plate
5	16105 - 053 - 00	4	Bearing flange
6	16105 - 054 - 00	2	Front flange
7	16240 - 100 - 00	4	Spacer
8	16240 - 124 - 00	2	Spacer
9	16260 - 004 - 00	4	Bushing
10	16260 - 006 - 00	2	Front bear. bushing
11	16260 - 005 - 00	2	Rear bear. bushing
12	16500 - 085 - 00	1	Upper axle
13	16500 - 086 - 00	1	Lower axle
14	16510 - 018 - 00	1	Gear
15	16625 - 001 - 00	2	End plate
16	16806 - 065 - 00	2	Connection gasket
17	16807 - 035 - 00	1	Oil tank gasket
18	16807 - 050 - 00	8	Housing gasket
19	16240 - 101 - 00	4	Spacer
20	16840 - 000 - 00	2	Oil drain plug
21	16871 - 006 - 00	1	Oil tank
22	16851 - 002 - 00	2	Washer
23	16875 - 033 - 00	4	Pump housing
24	16240 - 098 - 00	2	Spacer
(Σ) 25	4022 - 2001 - 06	8	Seal ring
26	4023 - 1160 - 48	2	Bearing NUP2209EC
27			
28	4026 - 5035 - 10	8	Key 10x9x170
29	4026 - 5009 - 07	4	Key 10x8x40
30	4023 - 1300 - 36	4	Bushing 55x45x40
31	4023 - 1300 - 09	2	Bushing 45x35x17

Pos.	Code	Qt.	Denomination
32	4022 - 2000 - 27	2	Seal ring
33	4026 - 3065 - 09	4	Selflocking ring M45
34	4026 - 3063 - 09	4	Safety ring
35			
36	4022 - 2002 - 42	8	OR 3256
37	4022 - 2002 - 36	4	OR 4275
38	4022 - 2002 - 38	4	OR 4350
39	4022 - 2002 - 12	8	OR 2162
40	4026 - 4100 - 13	12	Pin ø8x36
41	4026 - 9100 - 01	1	Plug
42			
43	4026 - 1204 - 05	30	Screw TCEI M8x25
44	4026 - 1204 - 03	17	Screw TCEI M8x20
45	4026 - 3507 - 06	61	Spring washer ø8,4
46	4026 - 1028 - 08	28	Vite TE M8x30
47	4026 - 1205 - 10	24	Vite TCEI M10x50
48	4026 - 3506 - 08	24	Spring washer ø10,5
49	4026 - 3008 - 06	24	Nut M10
50	4026 - 1215 - 04	8	Screw T. BEI M8x18
51	16850 - 051 - 00	6	Washer ø24x9x2
52	4026 - 1362 - 05	4	Set screw M6x12
53	4026 - 3509 - 09	8	Lock washer
54	16510 - 019 - 00	1	Gear
(Σ) 55	15036 - 015 - 00	4	Middle piston
56	4023 - 1050 - 10	2	Bearing 22209EC
57	4026 - 9110 - 03	2	Drain plug 1/2
58	4026 - 3590 - 03	2	Washer ø21
59	16420 - 003 - 00	1	Protection
60	16100 - 131 - 00	2	In/outlet flange Ø
61	4026 - 7130 - 10	2	Manifold flange ∇
62	16806 - 066 - 00	2	Manifold flange gasket

(Σ) Specify if NBR - VITON